

Sensor-switched LED floodlight

XLED home 2 S

Silver
EAN 4007841 033057
Article number 033057



LED

3000 K



Infrarot-Sensor
180°



Max. 10 m



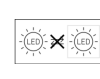
IP44



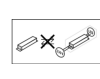
Panel 180° hor.,
180° ver.



Sensor 90° ver.,
180° hor.



Lichtquelle nicht
austauschbar



Betriebsgerät nicht
austauschbar



2 - 2000 Lux

30 Jahre (Ø 4,5 Std /
Tag)

3000K warmweiß

Function description

Top seller. Now even better. XLED home 2 S sensor-switched outdoor floodlight for even more safety and security. Fully swivelling LED panel in classy stainless-steel look. For the most exacting of demands on design and maximum lighting convenience. 1550 lm at a power consumption of only 13,7 W. Swivelling precision IR sensor (horizontally: 180°, vertically: 90°). 180° angle of coverage, 10 m reach, 3000 K. High thermal conductivity magnesium composite cooling system (HCMC).

Technical specifications

| | |
|----------------------------|---|
| Dimensions (L x W x H) | 161 x 180 x 218 mm |
| With lamp | Yes, STEINEL LED system |
| With motion detector | Yes |
| Manufacturer's Warranty | 5 years |
| Settings via | Potentiometers |
| Version | Silver |
| PU1, EAN | 4007841033057 |
| Application, place | Outdoors |
| Application, room | outdoors, all round the building, terrace / balcony, courtyard & driveway |
| Colour | Silver |
| Includes corner wall mount | No |
| Installation site | wall, corner |
| Installation | Surface wiring, corner, Wall |
| Impact resistance | IK03 |
| IP-rating | IP44 |

| | |
|---|--|
| Mechanical scalability | No |
| Reach, radial | r = 5 m (39 m ²) |
| Reach, tangential | r = 10 m (157 m ²) |
| Photo-cell controller | Yes |
| Luminous flux total product | 1550 lm |
| Total product efficiency | 113 lm/W |
| Colour temperature | 3000 K |
| Colour variation LED | SDCM3 |
| Lamp | LED cannot be replaced |
| LED life expectancy (max. °C) | 50000 h |
| Service life LED L70B50 (25°) | > 60000 h |
| Drop in luminous flux in accordance with LM80 | L70B10 |
| LED cooling system | HCMC (High Conductive Magnesium Composite) |
| Soft light start | No |
| Time setting | 8 s – 35 Min. |

<https://www.steinell.de>

Subject to technical modifications

04.2024 Page 1 from 3

Sensor-switched LED floodlight

XLED home 2 S

Silver
EAN 4007841 033057
Article number 033057



Technical specifications

| | |
|---|--------------------------|
| Protection class | II |
| Ambient temperature | -20 – 40 °C |
| Housing material | HCMC |
| Cover material | Plastic, opal |
| Mains power supply | 220 – 240 V / 50 – 60 Hz |
| Mounting height max. | 4,00 m |
| Sneak-by guard | Yes |
| Capability of masking out individual segments | Yes |
| Electronic scalability | No |

| | |
|----------------------------|--------|
| Basic light level function | No |
| Main light adjustable | No |
| Twilight setting TEACH | No |
| Interconnection | No |
| Output | 13,7 W |
| Colour Rendering Index CRI | = 82 |
| Optimum mounting height | 2 m |
| Detection angle | 180 ° |

Accessories

EAN 4007841 053109

Corner wall mount XLED home 2

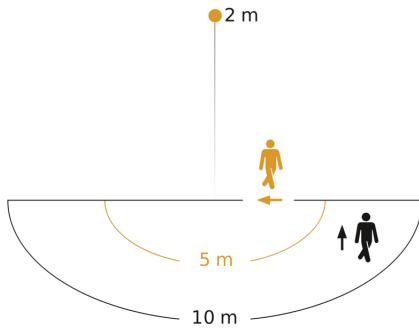
Sensor-switched LED floodlight

XLED home 2 S

Silver
EAN 4007841 033057
Article number 033057

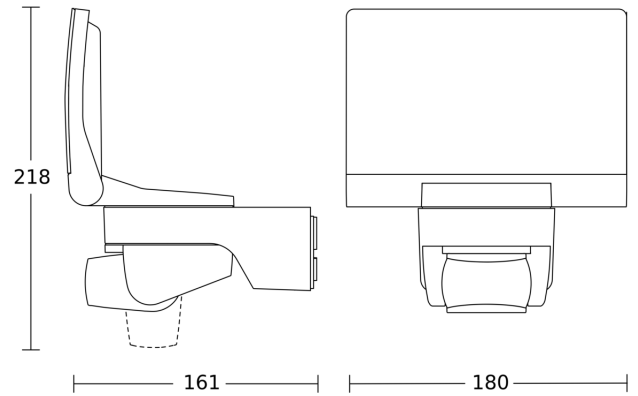


Detection Zone

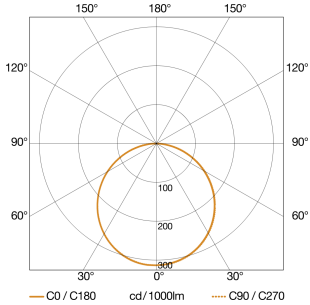


Possible mounting height: 1,80 m - 4,00 m
Orange: radial
Black: tangential

Dimension Drawing



Light Distribution Curve



| | |
|-------------------------------|--|
| Output | 13,7 W |
| With lamp | Yes, STEINEL LED system |
| Lamp | LED cannot be replaced |
| Colour temperature | 3000 K |
| Colour Rendering Index | 80-89 |
| LED life expectancy (max. °C) | 50000 h |
| LED cooling system | HCMC (High Conductive Magnesium Composite) |

Circuit diagram

